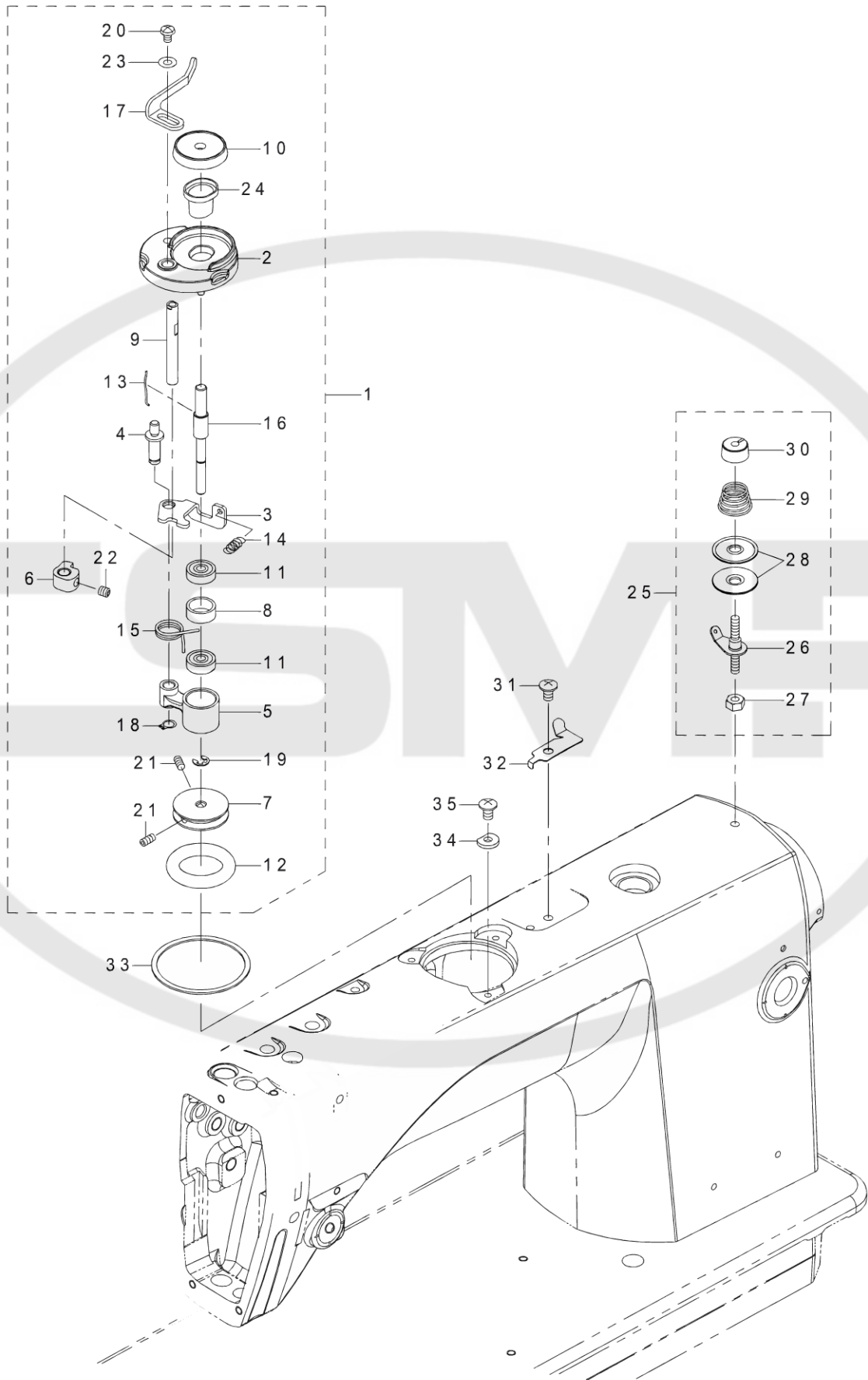


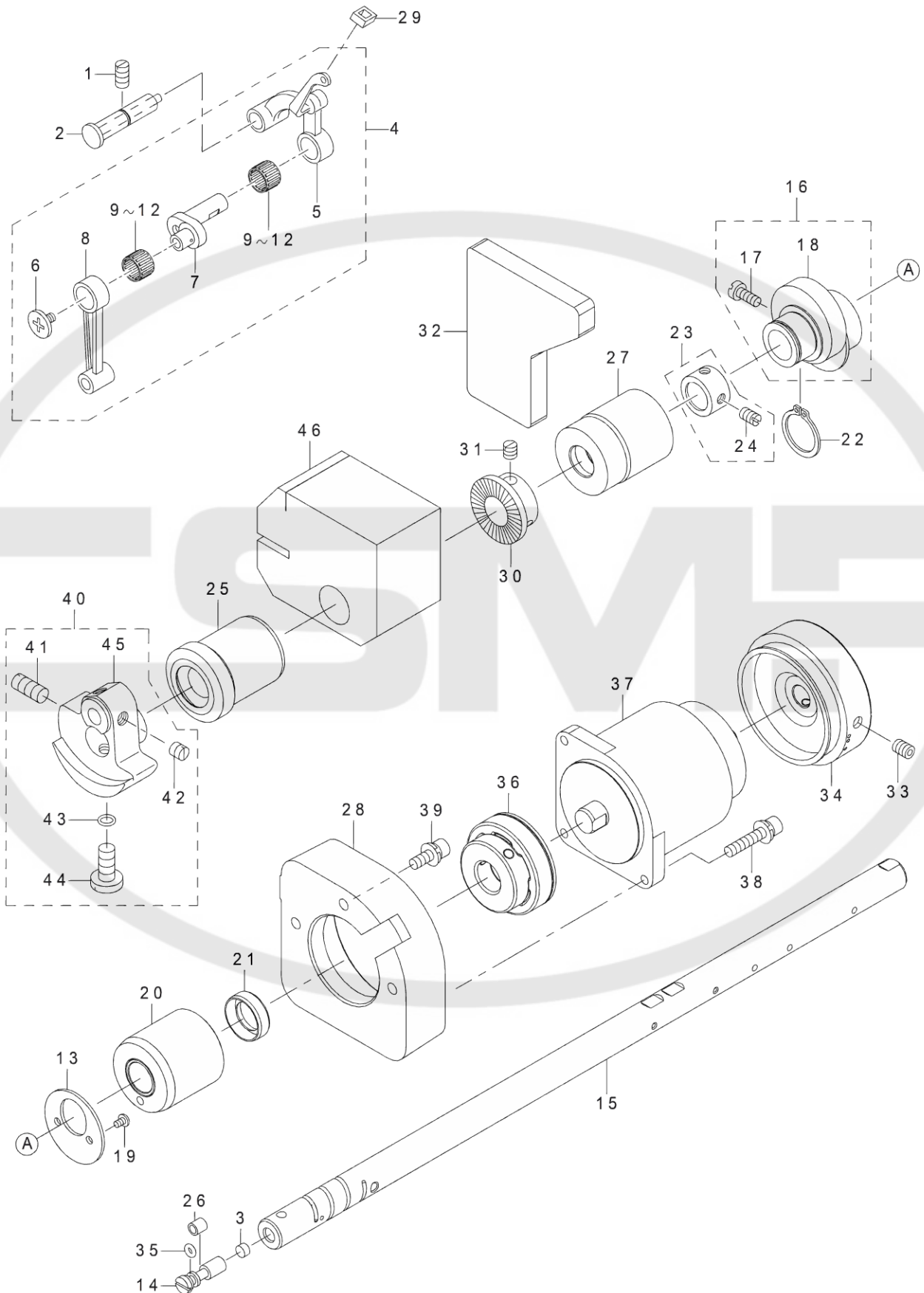
No	note	Parts No.	DESCRIPTION	Qty
1		40102097	FACE PLATE ASM.	1
2		40012126	FACE PLATE PACKING	1
3		SS6080410SP	SCREW 1/8-44 L=4	1
4		40156677	ARM OIL SHIELD ASSY	1
5		TA0850604R0	RUBBER PLUG	2
6		TA1250705R0	RUBBER PLUG	1
7		22958300	NEEDLE THREAD GUIDE PIN	1
8		SS4120925SP	SCREW 3/16-28 L=9	8
9		TA2100904R0	RUBBER PLUG	1
10		22900401	WINDOW PLATE	1
11		40012129	SIDE PLATE PACKING	1
12		CM300200001	ATTENTION SEAL	2
13		40102261	SAFETY LABEL S	1
14		22901805	GROUND MARK	1
15		SS4120615SP	SCREW 3/16-28 L=6	1
16		TA2000502R0	RUBBER PLUG	1
17		SS6121840SP	SCREW 3/16-28 L=18	1
18		22952501	BACK LEVER STOPPER	1
19		TA2101002R0	RUBBER PLUG	1
20	#02	11415205	THREAD TAKE-UP LEVER COVER(JE)	1
21		22945463	THREAD TENSION ASM. NO.1	1
22		22945414	THREAD TENSION POST	(1)
23		22945604	THREAD TENSION GUIDE	(1)
24		22945802	THREAD TENSION DISK	(2)
25		22945505	THREAD TENSION SPRING	(1)
26		22945703	THREAD TENSION NUT	(1)
27		SS4120615SP	SCREW 3/16-28 L=6	1
28	#02	22900609	THREAD TAKE-UP LEVER COVER	1
29		SS4120615SP	SCREW 3/16-28 L=6	1
30		22920508	ARM THREAD GUIDE A	1
31		22921001	SCREW	1
32		22945356	THREAD TENSION ASM.	1
33		22921308	THREAD TENSION NUT	(1)
34		22921407	ROTATION STOPPER	(1)
35		22921704	THREAD TENSION SPRING A	(1)
36		22921803	DISK STOPPER	(1)
37		22921506	THREAD TENSION DISK	(2)
38		22921209	THREAD TENSION POST	(1)
39		22921605	THREAD TAKE-UP SPRING	(1)
40		22945307	THREAD TENSION POST BASE	(1)
41		SS8090670SP	SCREW 9/64-40 L=5.5	(1)
42		SS8150710TP	SCREW 15/64-28 L=7	1
43		22920904	TENSION RELEASING	1
44		B1109552000	THROAT PLATE	1
45		SS2110920TP	SCREW 11/64-40 L=8.5	1
46		SS2110915SP	SCREW 11/64-40 L=8.5	1
47		22920607	ARM THREAD GUIDE B	1
48		SS6110610TP	SCREW 11/64-40 L=6	1
49		TA1250406R0	RUBBER PLUG D=12.5 L=4	2
50		SS4120925SP	SCREW 3/16-28 L=9	3
51		22901250	SLIDE PLATE ASM.	1
52		22901201	SLIDE PLATE	(1)
53		22901300	SLIDE PLATE SPRING	(1)
54		SS6060210SP	SCREW 3/32-56 L=1.9	(2)
55		22901003	BED SCREW STUD	4
56		WT0530002KS	TOOTHED WASHER D=5.3	1
57		22935407	BED OIL SHIELD RUBBER	1
58		40099083	RULER STOP SEAT	1
59		SS7110720SP	SCREW 11/64-40 L=7	2
60		40126308	CORD CLAMP	1
61		40111896	CORD CLAMP	1
62		SS4120615SP	SCREW 3/16-28 L=6	1
63	#01	40139555	THREAD NIPPER COMPONENTS	1
64		40156893	EMBLEM DDL900A F	1
65		40157335	OIL INJECTION CAUTION SEAL	1
66		40156894	EMBLEM DDL900A R	1
67	#01	40140416	AK85B DEVICE	1

1...#01OPTIONAL PARTS / 2...#02VARIOUS NOS. FOR DESTINATIONS / 3... /



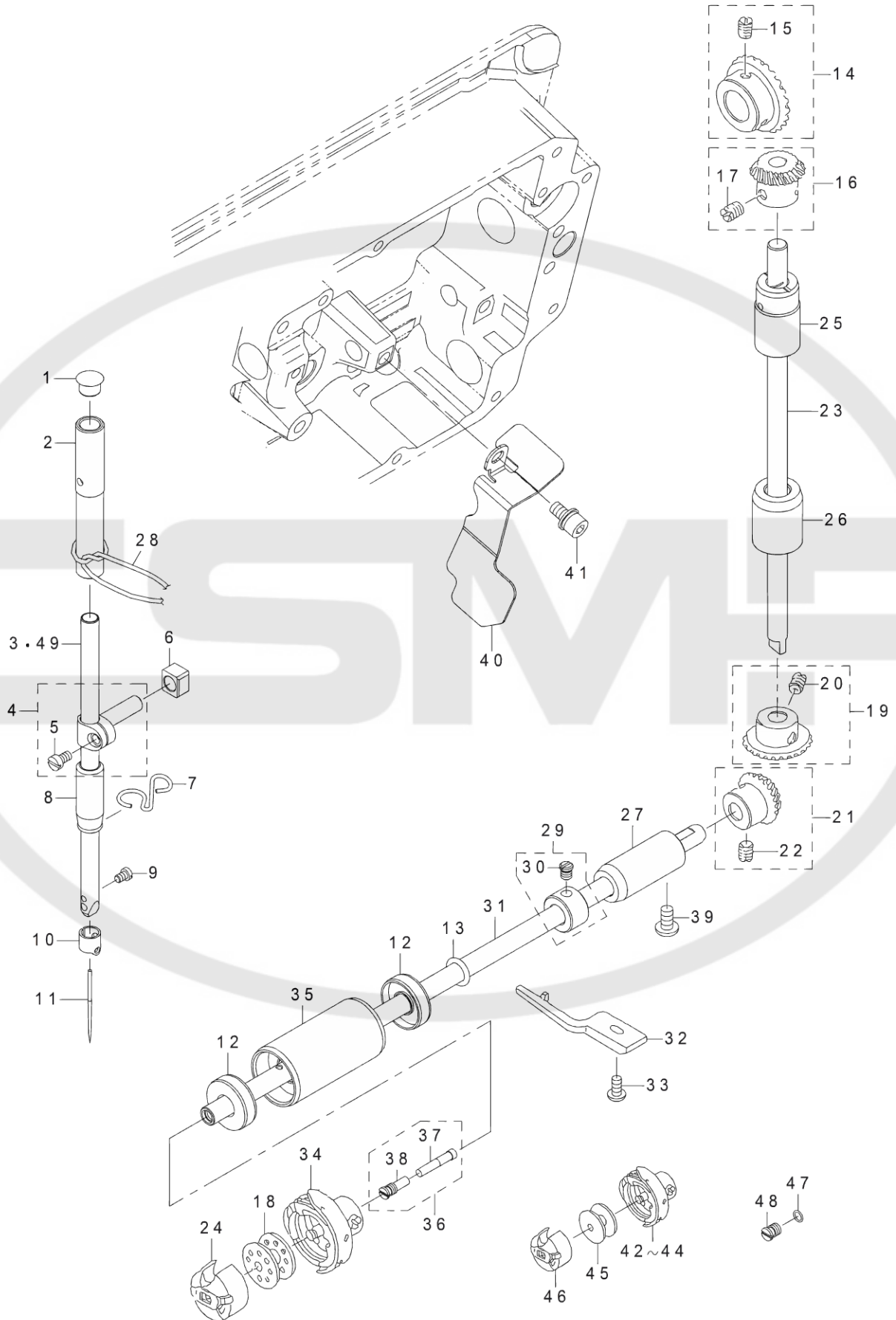
No	note	Parts No.	DESCRIPTION	Qty
1		40110976	BOBBIN WINDER UNIT	1
2		26260109	BTW BASE	(1)
3		26260208	BTW CAM PLATE	(1)
4		26260307	BTW BASE SHAFT	(1)
5		26260406	BTW SHAFT BASE	(1)
6		26260505	BTW CAM LEVER	(1)
7		26260604	BTW WHEEL	(1)
8		26260802	BTW BEARING SPACER	(1)
9		26261008	BTW LEVER SHAFT	(1)
10		26261206	BTW SPACER	(1)
11		26261305	BTW BEARING	(2)
12		26261503	BTW WHEEL RUBBER	(1)
13		26261602	BOBBIN SPRING	(1)
14		26261701	BTW SPRING	(1)
15		40011144	BTW TORSION SPRING	(1)
16		40110975	BTW SHAFT	(1)
17		40021933	BTW LEVER	(1)
18		RC0560711KP	RETAINING RING	(1)
19		RE0400000K0	E-RING 4	(1)
20		SM5040655SN	SCREW	(1)
21		SM8040802TP	SCREW M4X8	(2)
22		SM8050502TP	SCREW M5 L=5	(1)
23		WP0450826SC	WASHER 4.5X10X0.8	(1)
24		40119475	OIL GUARD	(1)
25		40110731	BOBBIN THREAD TENSION ASSY	1
26		40110734	BOBBIN THREAD ROD ASSY	(1)
27		NS6120630SP	NUT 3/16-28	(1)
28		22921506	THREAD TENSION DISK	(2)
29		D7133555B00	CONNECTING ROD SPRING	(1)
30		22945703	THREAD TENSION NUT	(1)
31		SM0050801SC	SCREW	1
32		40037008	THREAD CUTTER	1
33		22538706	PACKING	1
34		40113241	BTW SPACER	1
35		SM0050801SC	SCREW	3

1... /



No	note	Parts No.	DESCRIPTION	Qty
1		SS8151150TP	SCREW 15/64-28 L=10.5	1
2		22919559	THREAD TAKE-UP CRANK SHAFT ASM.	1
3		11002904	ROLLER FELT	1
4		22918072	THREAD TAKE-UP LEVER COMPL.	1
5		22918064	THREAD TAKE-UP LEVER ASM.	(1)
6		22918304	LEFT SCREW	(1)
7		22918106	NEEDLE BAR CRANK	(1)
8		22906606	NEEDLE BAR CRANK ROD	(1)
9	#01	22918403	NEEDLE BEARING A	(2)
10	#01	22918502	NEEDLE BEARING B	(2)
11	#01	22918601	NEEDLE BEARING C	(2)
12	#01	22918700	NEEDLE BEARING D	(2)
13		22910103	THRUST COLLAR	1
14		22903900	ADJUSTING PIN	1
15		40110977	MAIN SHAFT	1
16		22910053	FEED DRIVE ECCENTRIC CAM ASM.	1
17		SS6661110SP	SCREW 1/4-40 L=11	(2)
18		22910004	FEED DRIVE ECCENTRIC CAM	(1)
19		SS4090615SP	SCREW 9/64-40 L=6	2
20		40110978	MAIN SHAFT BUSHING	1
21		40139216	OIL SEAL	1
22		RC1850001KP	SNAP RING 18.5	1
23		22904155	MAIN SHAFT THRUST COLLAR ASM.	1
24		SS8660610TP	SCREW 1/4-40 L=6	(2)
25		22903207	MAIN SHAFT BUSHING FRONT	1
26		B1215552000	OIL ADJUSTING COLLAR	1
27		22903306	BUSHING INTERMEDIATE	1
28		40110979	MAIN MOTOR BASE 76	1
29		22919203	OIL PROTECTING RUBBER	1
30		22538805	DRIVING WHEEL	1
31		SS8660610TP	SCREW 1/4-40 L=6	2
32		40111424	FILTER	1
33		SM80608A2TP	SCREW M6 L=8	2
34		40111872	HAND PULLEY	1
35		RO029180100	RUBBER RING	1
36		40111025	COUPLING ASM.	1
37		40140419	SERVO MOTOR	1
38		SL6052592TN	BOLT	3
39		SL6051492TN	BOLT	3
40		40110390	COUNTER WEIGHT ASM.	1
41		SS8681650TP	SCREW 9/32-28 L=16	(1)
42		SS8660610TP	SCREW 1/4-40 L=6	(2)
43		RO044240100	RUBBER RING	(1)
44		SS7681650TP	SCREW 9/32-28 L=16	(1)
45		40110376	COUNTER WEIGHT	(1)
46		40156681	FILTER	1

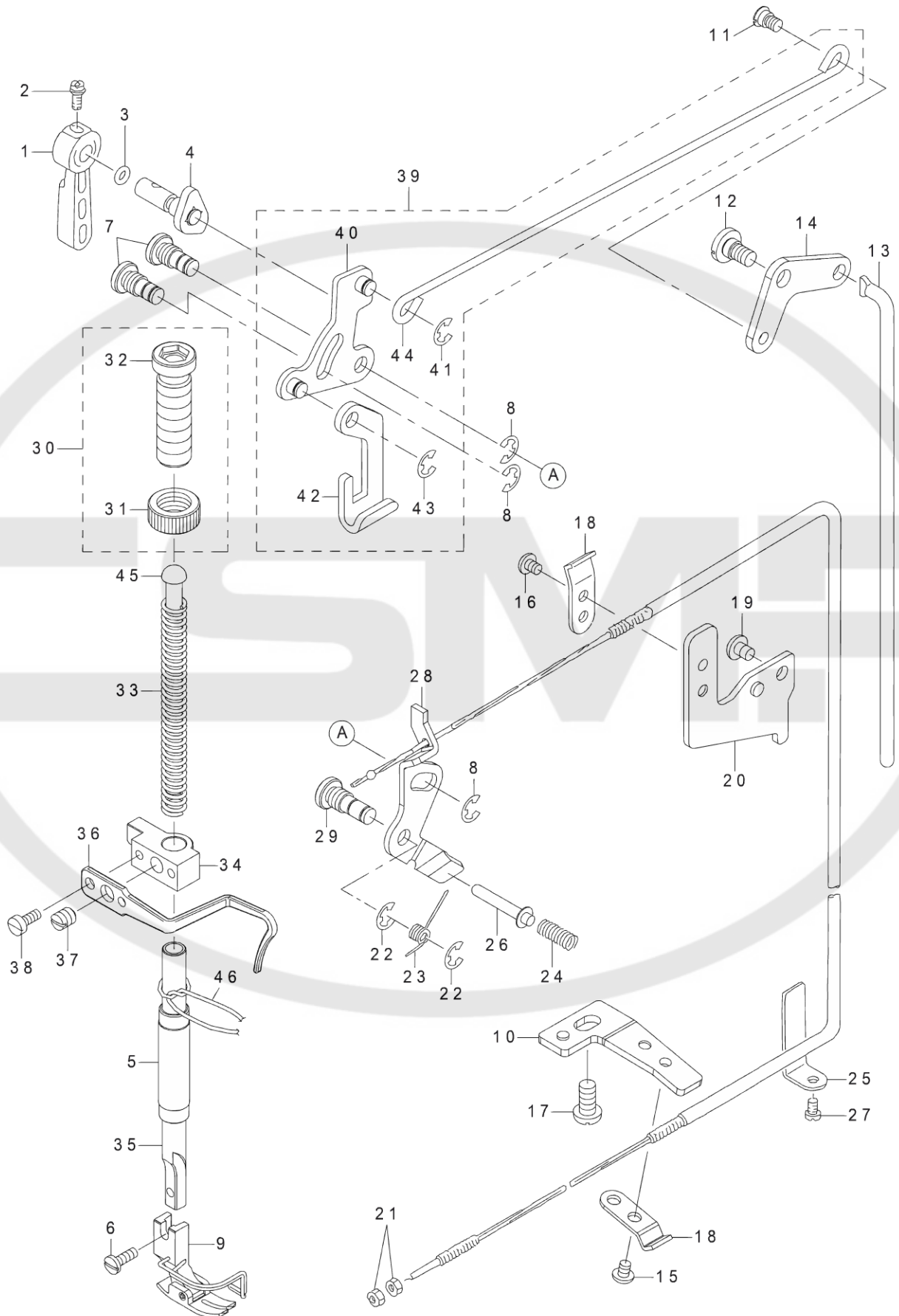
1...#01SELECTIVE PARTS / 2... /



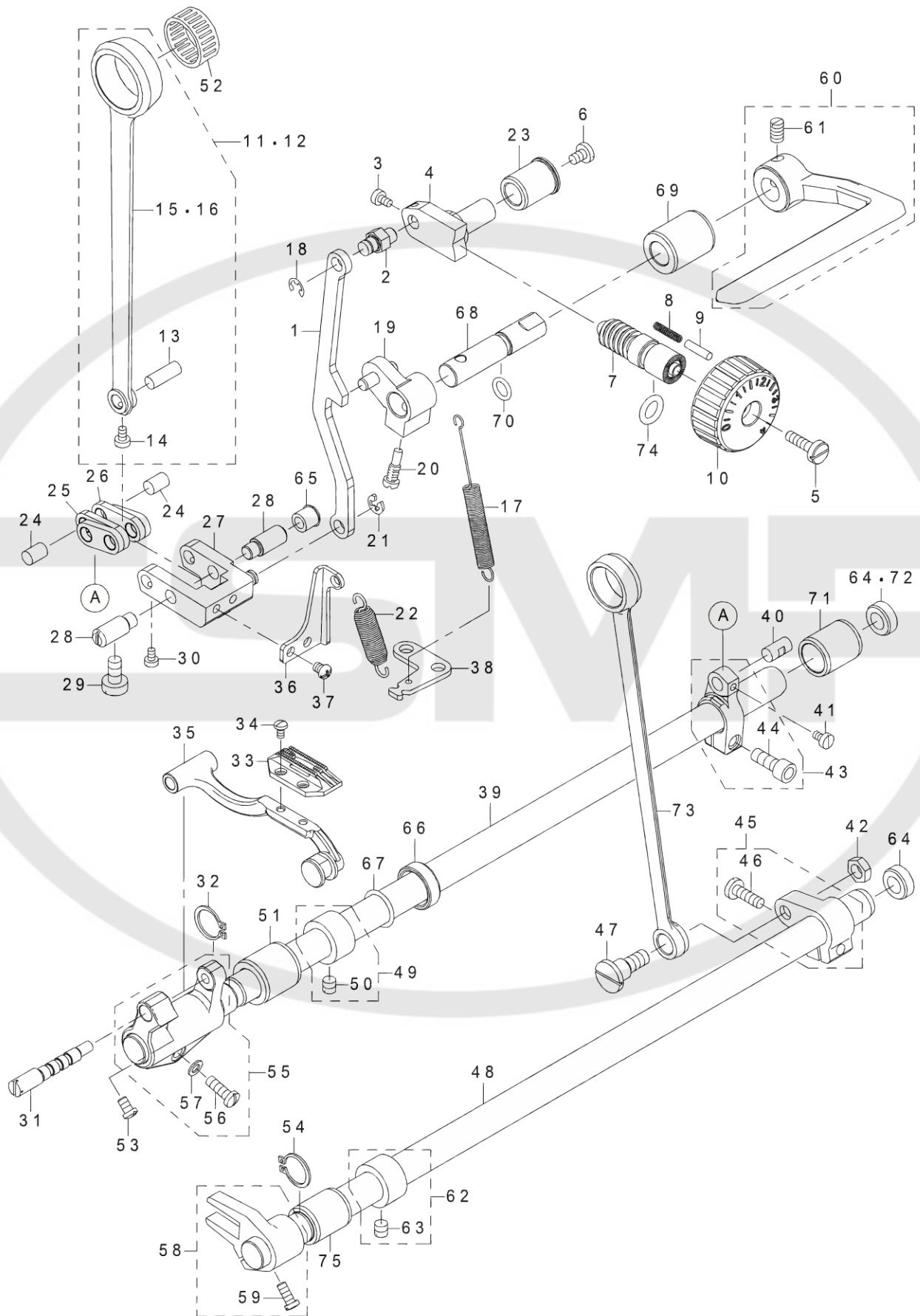
No	note	Parts No.	DESCRIPTION	Qty
1		TA0850604R0	RUBBER PLUG	1
2		22906101	NEEDLE BAR BUSHING UPPER	1
3		22939508	NEEDLE BAR	1
4		22906457	NEEDLE BAR HOLDER ASM.	1
5		SS6090670TP	SCREW 9/64-40 L=6	(1)
6		40090058	SLIDE BLOCK	1
7		40141523	NEEDLE BAR THREAD GUIDE P	1
8		22906200	NEEDLE BAR BUSHING LOWER	1
9		SS7080510TP	SCREW 1/8-44 L=4.5	1
10		22906309	NEEDLE BAR THREAD GUIDE	1
11		MDB100B1400	NEEDLE DBX1 #14	1
12		40145927	OIL SEAL	2
13		RO069180100	RUBBER RING	1
14		40090002	UPPER LARGE BEVEL GEAR ASM.	1
15		SS8660810TP	SCREW 1/4-40 L=8	(2)
16		40090003	UPPER SMALL BEVEL GEAR ASM.	1
17		SS8660810TP	SCREW 1/4-40 L=8	(2)
18		22932909	BOBBIN	1
19		40090004	LOWER LARGE BEVEL GEAR ASM.	1
20		SS8660810TP	SCREW 1/4-40 L=8	(2)
21		40090005	LOWER SMALL BEVEL GEAR ASM.	1
22		SS8660810TP	SCREW 1/4-40 L=8	(2)
23		22905004	UPRIGHT SHAFT	1
24		11038759	BOBBIN CASE ASM.	1
25		22905103	UPRIGHT SHAFT BUSHING UPPER	1
26		22905202	UPRIGHT SHAFT BUSHING LOWER	1
27		22916308	HOOK DRIVING SHAFT BUSH REAR	1
28		CQ220000000	OUL WICK	0.3
29		22917157	THRUST COLLAR ASM. REAR	1
30		SS6110420TP	SCREW 11/64-40 L=4.8	(2)
31		40156687	HOOKDRIVING SHAFT	1
32		22942502	INNER HOOK PRESSER	1
33		SS4110915TP	SCREW 11/64-40 L=9	1
34		11038650	HOOK ASM.	1
35		40156815	HOOK SHAFT METAL ASSY	1
36		22916555	OIL SEAL SCREW ASM.	1
37		11015906	OIL WICK	(1)
38		22916506	SET SCREW	(1)
39		SS4120925SP	SCREW 3/16-28 L=9	1
40		40156698	GEAR OIL GUARD PLATE	1
41		SL6051092TN	BOLT	1
42	#01	22890404	RP HOOK C	1
43	#01	22890206	RP HOOK	1
44	#01	22890305	RP HOOK S	1
45	#01	B9117552A00	BOBBIN	1
46	#01	22896252	BOBBIN CASE ASM.	1
47	#01	RO036080200	RUBBER RING	1
48	#01	11079506	FRONT SCREW	1
49	#02	22939607	NEEDLE BAR B	1

1...#01OPTIONAL PARTS / 2...#02ACCORDING TO DESTINATIONS / 3... /



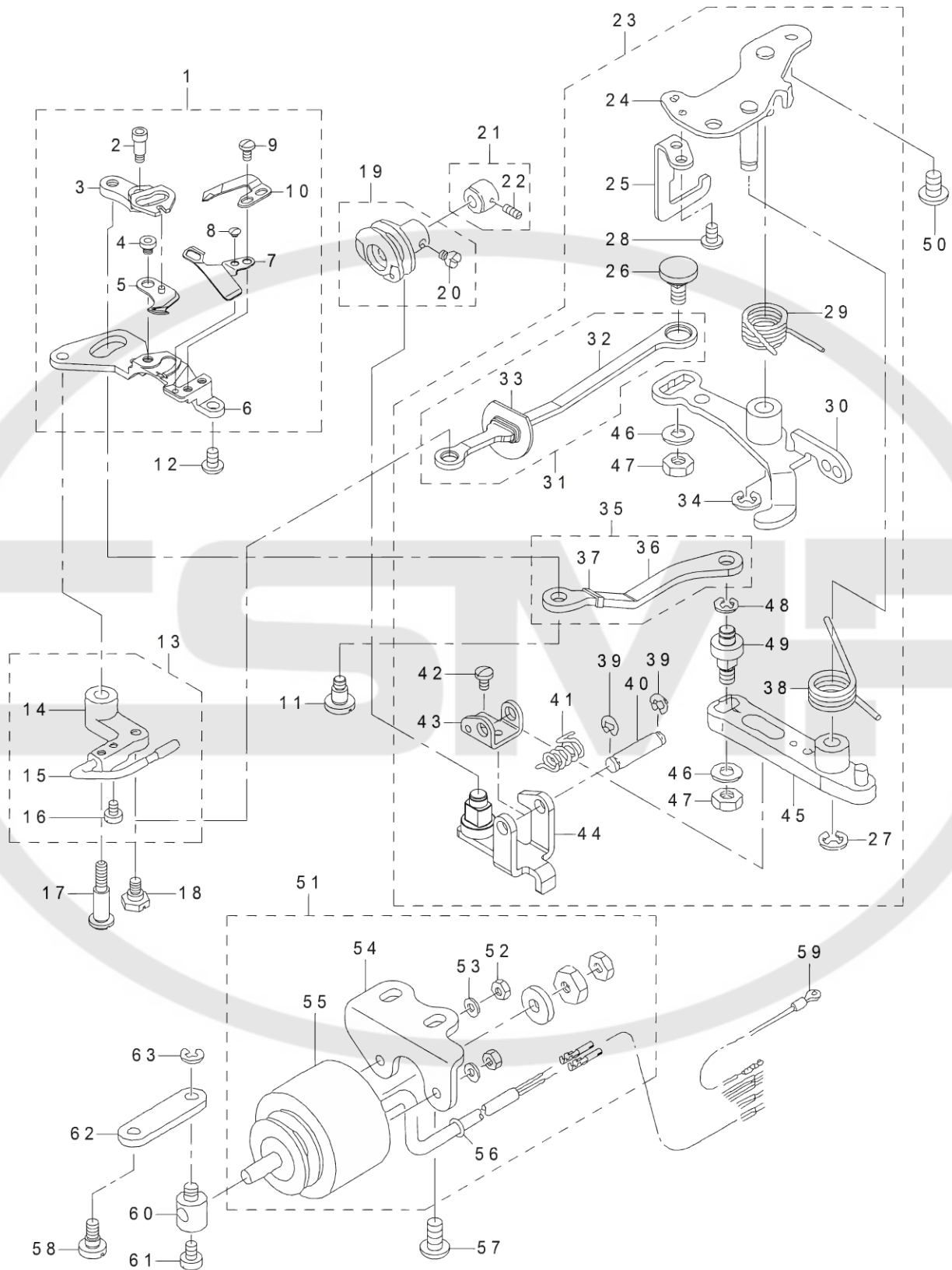


No	note	Parts No.	DESCRIPTION	Qty
1		22907802	HAND LIFTER	1
2		B1521555000	SCREW	1
3		R0037180100	RUBBER RING	1
4		22908552	HAND LIFTER CAM ASM.	1
5		40060989	PRESSER BAR BUSHING LOWER	1
6		SS7091110TP	SCREW 9/64-40 L=10.5	1
7		22908701	LINK SHAFT	2
8		RE0500000K0	E-RING	3
9		B15240120BA	PRESSER FOOT ASM.	1
10		22944706	WIRE PRESSER BASE LOWER	1
11		22908909	HINGE SCREW	1
12		SD0720331SP	HINGE SCREW D=7.24 H=3.3	1
13		22909006	KNEE LIFTER CONNECTING ROD	1
14		22908800	KNEE LIFTER LINK	1
15		SS4110515SP	SCREW 11/64-40 L=5	1
16		SS4110515SP	SCREW 11/64-40 L=5	1
17		SS4150915SP	SCREW 15/64-28 L=9	1
18		22944508	WIRE PRESSER A	2
19		SS4120615SP	SCREW 3/16-28 L=6	1
20		22944607	WIRE PRESSER BASE UPPER	1
21		NS6620310SP	NUT 3/16-32	2
22		RE0500000K0	E-RING	2
23		22920201	RETURN SPRING	1
24		22920409	THREAD RELEASE PIN SPRING	1
25		22945109	WIRE CABLE SUPPORT	1
26		22920300	THREAD RELEASE SUPPORTING PIN	1
27		SS4120615SP	SCREW 3/16-28 L=6	1
28		22944854	THREAD RELEASE WIRE ASM.	1
29		22920102	TENSION RELEASE SHAFT	1
30		22907554	PRESSER SPRING REGULATOR ASM.	1
31		22907604	PRESSER SPRING REGULATOR NUT	(1)
32		22907505	PRESSER SPRING REGULATOR	(1)
33		22907406	PRESSER SPRING	1
34		22907208	PRESSER BAR GUIDE BRACKET	1
35		40017805	PRESSER BAR	1
36		22907307	THREAD GUIDE	1
37		SS8660810TP	SCREW 1/4-40 L=8	1
38		SS6090910SP	SCREW 9/64-40 L=9	2
39		22908354	KNEE LIFTING CROSS ROD ASM.	1
40		22908156	LIFTING LINK ASM.	(1)
41		RE0500000K0	E-RING	(1)
42		22908008	LIFTING PLATE	(1)
43		RE0500000K0	E-RING	(1)
44		22908305	KNEE LIFTER SIDE ROD	(1)
45		22907703	PRESSER GUIDE BAR	1
46		CQ202000000	OIL WICK	0.2

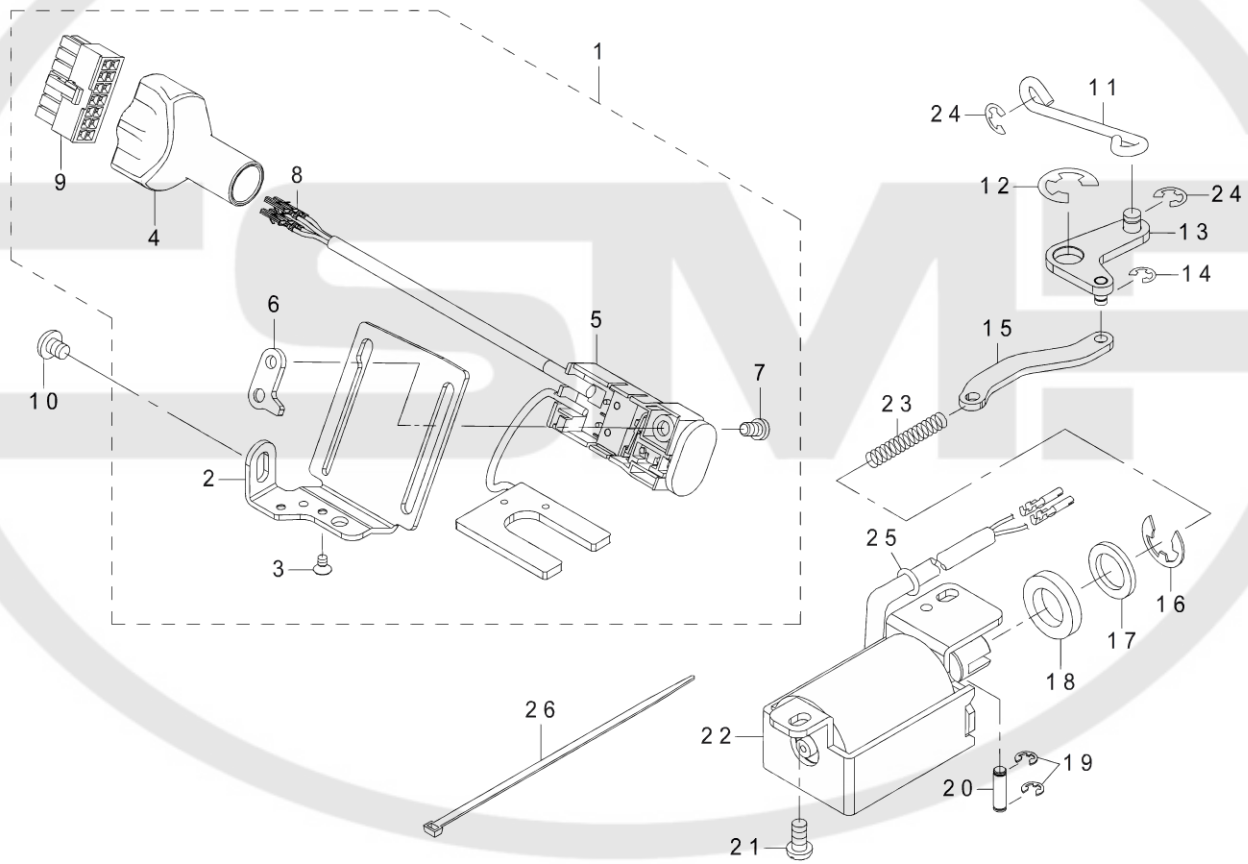


No	note	Parts No.	DESCRIPTION	Qty
1		22941108	FEED ADJUST ROD	1
2		22911507	WALKING FOOT PIN C	1
3		SS6090670TP	SCREW 9/64-40 L=6	2
4		22911606	FEED REGULATOR	1
5		SS6121860SP	SCREW 3/16-28 L=18	1
6		SS7120770SH	SCREW 3/16-28 L=7	1
7		22911804	FEED REGULATOR SCREW	1
8		22912109	FEED REGULATOR PIN SPRING	1
9		22912000	FEED REGULATOR PIN	1
10		22940506	FEED DIAL	1
11		22910251	CONNECTING ROD ASM.	1
12	#02	22913859	ROCKER SHAFT CONNECTING ROD B ASM.	1
13		22911101	WALKING FOOT PIN C	(1)
14		SS6090620TP	SCREW	(1)
15		22910202	ROCKER SHAFT CONNECTING ROD	(1)
16	#02	22913800	ROCKER SHAFT CONNECTING ROD B	(1)
17		11010311	LEVER SPRING	1
18		RE0500000KO	E-RING	1
19		22912257	FEED REVERSE ARM ASM.	1
20		22912505	FEED REVERSE ARM SCREW	1
21		RE0500000KO	E-RING	1
22		11037405	SPRING	1
23		11009800	FEED REGULATOR BUSHING	1
24		22910905	WALKING FOOT PIN A	2
25		40089548	CONNECTING LINK B	2
26		40093417	CONNECTING LINK A	2
27		22940951	FEED ADJUST LINK ASM.	1
28		22910806	ADJUST LINK FULCRUM SHAFT A	2
29		SS6151220SP	SCREW 15/64-28 L=11.5	2
30		SS6090620TP	SCREW	2
31		40125485	FEED BASE SHAFT	1
32		RC0150001KP	RETAINING RING 13.8	1
33		B1613012100	FEED DOG I	1
34		SS4080620TP	SCREW 1/8-44 L=6	2
35		22940753	FEED BAR ASM.	1
36		22941306	REGULATOR LINK SPRING HOOK	1
37		SS4110515SP	SCREW 11/64-40 L=5	2
38		22913701	FEED SPRING HOOK	1
39		40156684	FEED ROCKER SHAFT	1
40		22911002	WALKING FOOT PIN B	1
41		SS6090620TP	SCREW	1
42		NS6680410SP	NUT 9/32-28	1
43		40110379	ASSY FEED ROCKER ARM	1
44		SS6121610SP	SCREW 3/16-28 L=15.5	(1)
45		40109422	FEED ARM ASM	1
46		SS7121610SP	SCREW 3/16-28 L=15.5	(1)
47		SD1000801SH	HINGE SCREW D=10 H=8	1
48		40156686	FEED DRIVING SHAFT	1
49		22904155	MAIN SHAFT THRUST COLLAR ASM.	1
50		SS8660610TP	SCREW 1/4-40 L=6	(2)
51		40156685	FEED ROCKER SHAFT BUSHING	1
52	#02	40111897	BEARING	1
53		SS7110740TP	SCREW 11/64-40 L=7	1
54		RC0150001KP	RETAINING RING 13.8	1
55		22940654	FEED ROCKER ASM.	1
56		SS7121410TP	SCREW 3/16-28 L=14	(1)
57		WP0480856SP	WASHER 4.8X8.4X0.8	(1)
58		22915359	DRIVING SHAFT CRANK ASM.	1
59		SS7111120SP	SCREW 11/64-40 L=10.5	(1)
60		40102264	FEED REVER. ASM.	1
61		SM8061010TP	SCREW	(2)
62		22904155	MAIN SHAFT THRUST COLLAR ASM.	1
63		SS8660610TP	SCREW 1/4-40 L=6	(2)
64	#01	40156758	FEED SHAFT RUBBER	2
65		TA0950806R0	RUBBER PLUG	1
66		40086740	OIL SEAL	1
67		RO133170100	RUBBER RING	1
68		40100812	FEED LEVER SHAFT	1
69		22912802	FEED LEVER SHAFT BUSHING	1
70		RO078190100	RUBBER RING	1
71	#01	40158189	BUSHING	1
72	#01	TA2000502R0	RUBBER PLUG	1
73		22915003	CONNECTING ROD	1
74		RO092270200	RUBBER RING	1
75		22913008	FEED ROCKER SHAFT BUSHING	1

1...#01ACCORDING TO MANUFACTURING BASE / 2...#02ACCORDING TO DESTINATIONS / 3... /



No	note	Parts No.	DESCRIPTION	Qty
1		40130579	KNIFE UNIT	1
2		SD0460703TP	HINGE SCREW D=4.6 H=7	(1)
3		22948202	FORKED BASE FOR KNIFE	(1)
4		11040409	MOVING KNIFE HINGE SCREW	(1)
5		11040052	MOVING KNIFE ASM.	(1)
6		40130580	KNIFE INSTALLING BASE	(1)
7		22947808	THREAD GUIDE FOR KNIFE	(1)
8		SS2060210SP	SCREW 3/32-56 L=2.3	(1)
9		SS4080620TP	SCREW 1/8-44 L=6	(2)
10		D2406555D0H	COUNTER KNIFE	(1)
11		SD0640631TP	HINGE SCREW D=6.35 H=6.3	1
12		SS4110715SP	SCREW 11/64-40 L=7	1
13		22950257	PICKER ARM ASM.	1
14		22950208	PICKER ARM	(1)
15		22950356	HOOK THREAD PRESSER ASM.	(1)
16		SS6090510TP	SCREW 9/64-40 L=5.0	(2)
17		SD0641451SP	HINGE SCREW D=6.35 H=14.5	1
18		SD0630275SP	HINGE SCREW D=6.35 H=2.7	1
19		22950851	THREAD TRIMMER CAM ASM.	1
20		SS6660610TP	SCREW 1/4-40 L=6	(2)
21		22950950	CAM COLLAR ASM.	1
22		SS8110520TP	SCREW 11/64-40 L=4.5	(1)
23		40156728	THREAD TRIMMER DRIVING UNIT	1
24		22949754	BASE PLATE ASM.	(1)
25		22950703	DRIVING ARM STOPPER	(1)
26		22950000	PICKER LINK PIN	(1)
27		RE0600000K0	E-RING 6	(1)
28		SS4110715SP	SCREW 11/64-40 L=7	(2)
29		22949408	CLUTCH SPRING	(1)
30		40087245	CLUTCH PLATE ASM.	(1)
31		40156999	PICKER LINK ASM	(1)
32		40156699	PICKER LINK	(1)
33		40156721	PICKER LINK RUBBER	(1)
34		RE0600000K0	E-RING 6	(1)
35		40157336	MOVING KNIFE LINK ASM.	(1)
36		22948301	MOVING KNIFE LINK	(1)
37		22919203	OIL PROTECTING RUBBER	(1)
38		22949309	KNIFE RETURN SPRING B	(1)
39		RE0400000K0	E-RING 4	(2)
40		22949101	ROLLER FULCRUM SHAFT	(1)
41		22949200	ROLLER RETURN SPRING	(1)
42		SS7090610SP	SCREW 9/64-40 L=6	(1)
43		22949002	ROLLER ARM SEAT	(1)
44		11040953	ROLLER ARM ASM.	(1)
45		22948558	KNIFE DRIVING ARM ASM.	(1)
46		WP0621016SH	WASHER	(2)
47		NS6150430SP	NUT 15/64-28	(2)
48		RE0500000K0	E-RING	(1)
49		22948400	MOVING KNIFE LINK PIN	(1)
50		SS4150915SP	SCREW 15/64-28 L=9	2
51		40156700	THREAD TRIMMER SOLENOID ASM.	1
52		NM6040001SE	NUT M4	(2)
53		WS0410002KR	SPRING WASHER M4	(2)
54		22951404	SOLENOID BASE	(1)
55		40156701	THREAD TRIMMER SOLENOID	(1)
56		RO044240100	RUBBER RING	(1)
57		SS4151215SP	SCREW 15/64-28 L=12	2
58		SD0600361SP	HINGE SCREW D=6 H=3.6	1
59		40112907	GROUND WIRE ASM.	1
60		22951008	SOLENOID PIN	1
61		SS6110710TP	SCREW 11/64-40 L=6.5	1
62		22949903	CLUTCH LINK	1
63		RE0500000K0	E-RING	1

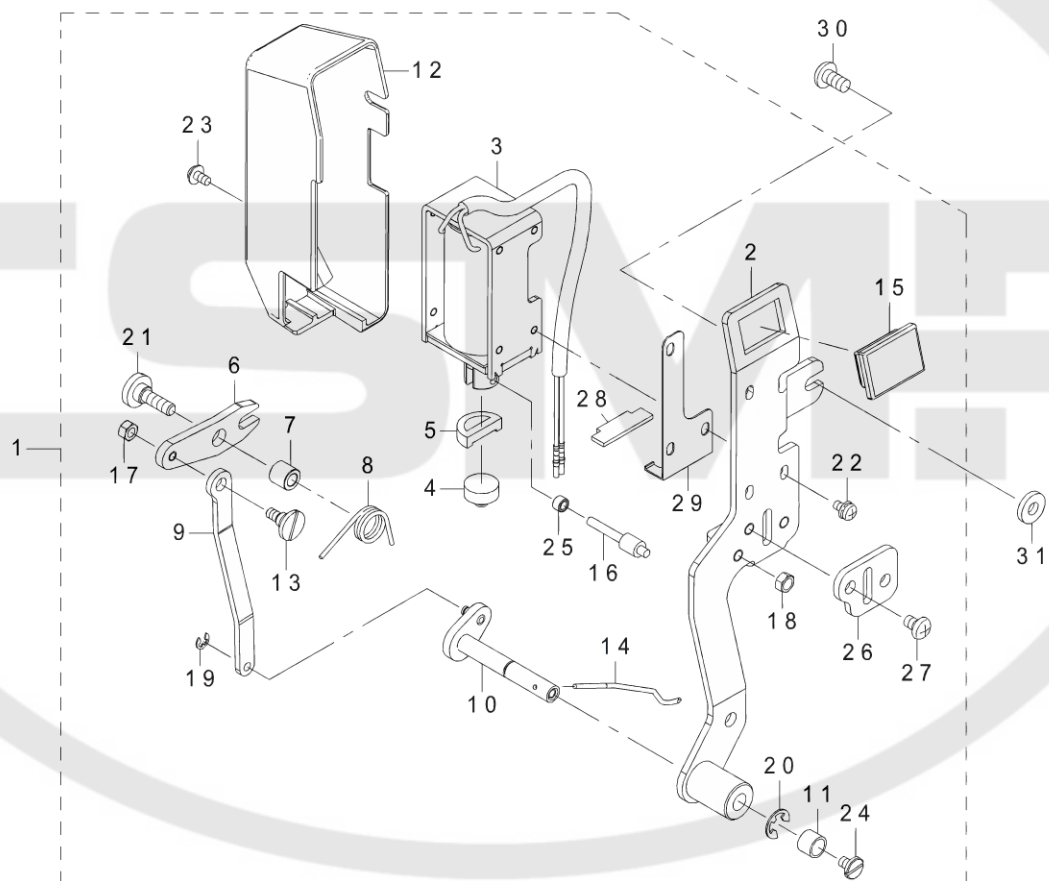


No	note	Parts No.	DESCRIPTION	Qty
1		40148382	LED BT SWITCH ASSY	1
2		40139771	LED BASE	(1)
3		40140191	LED SCREW	(2)
4		40140306	CONNECTOR COVER	(1)
5		40149069	LED BT SWITCH	(1)
6		23632102	REVERSE FEED SWITCH BASE GUIDE	(1)
7		SS7110740TP	SCREW 11/64-40 L=7	(1)
8		HK03464000B	PIN CONTACT	(4)
9		HK034610140	HOUSING 14P	(1)
10		SS4120615SP	SCREW 3/16-28 L=6	1
11		11101300	REVERSE FEED CONNECTING SHAFT	1
12		RE0900000K0	E-RING 9	1
13		22953657	CONNECTING ARM ASM.	1
14		RE0400000KP	E-RING 4	1
15		40156723	AUTO-BACK SOLENOID LINK	1
16		RE1200000K0	E-RING 12	1
17		WP1602616SZ	WASHER 16X24X2.6	1
18		22953400	RUBBER PLUNGER	1
19		RE0400000K0	E-RING 4	2
20		22953509	PLUNGER ARM PIN	1
21		SS4151215SP	SCREW 15/64-28 L=12	2
22		40156722	REVERSE FEED SOLENOID	1
23		22954002	PLUNGER SPRING	1
24		RE0500000KP	E-RING 5	2
25		RO044240100	RUBBER RING	1
26		HX00065000A	CABLE CLIP	1

1... /



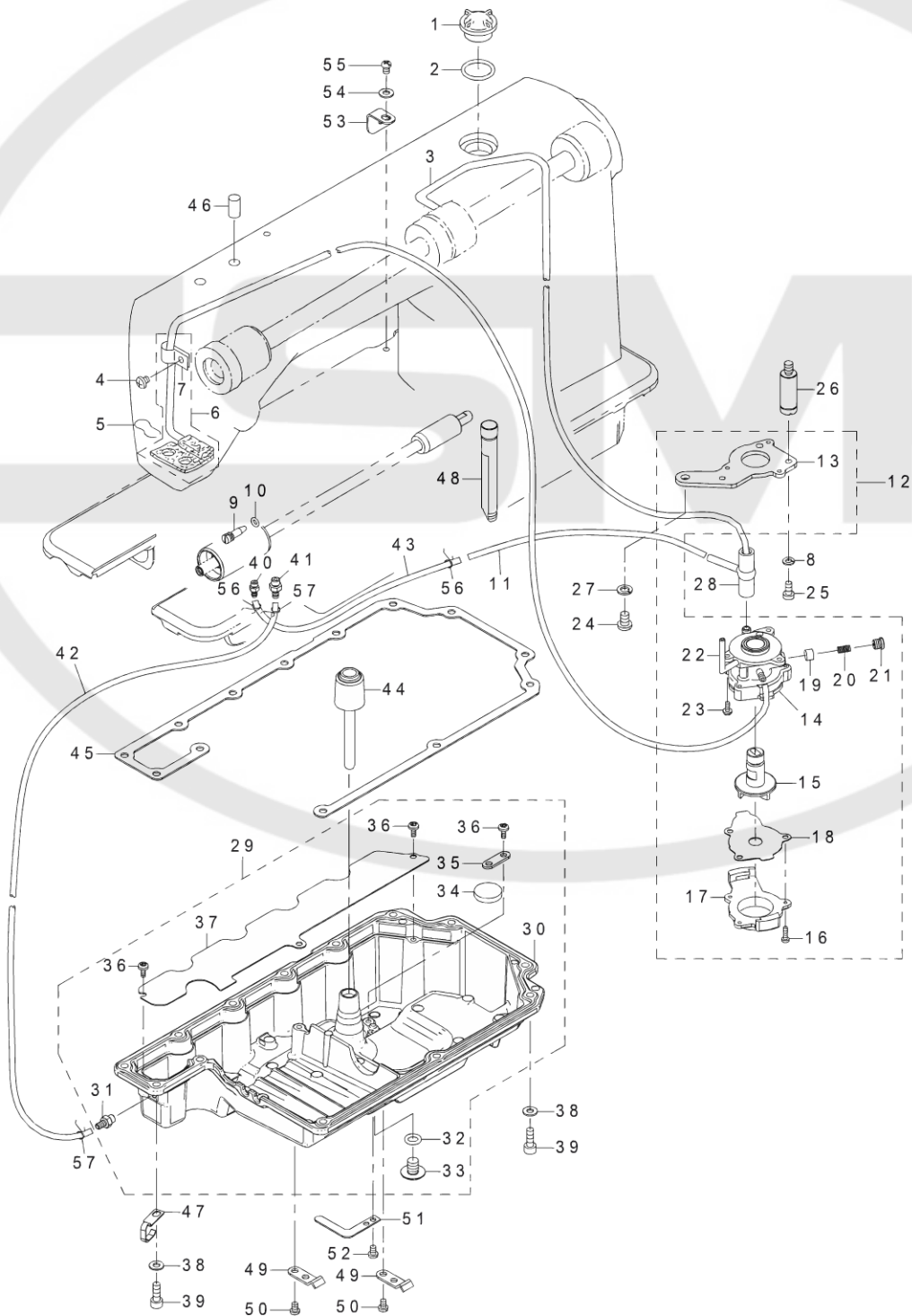




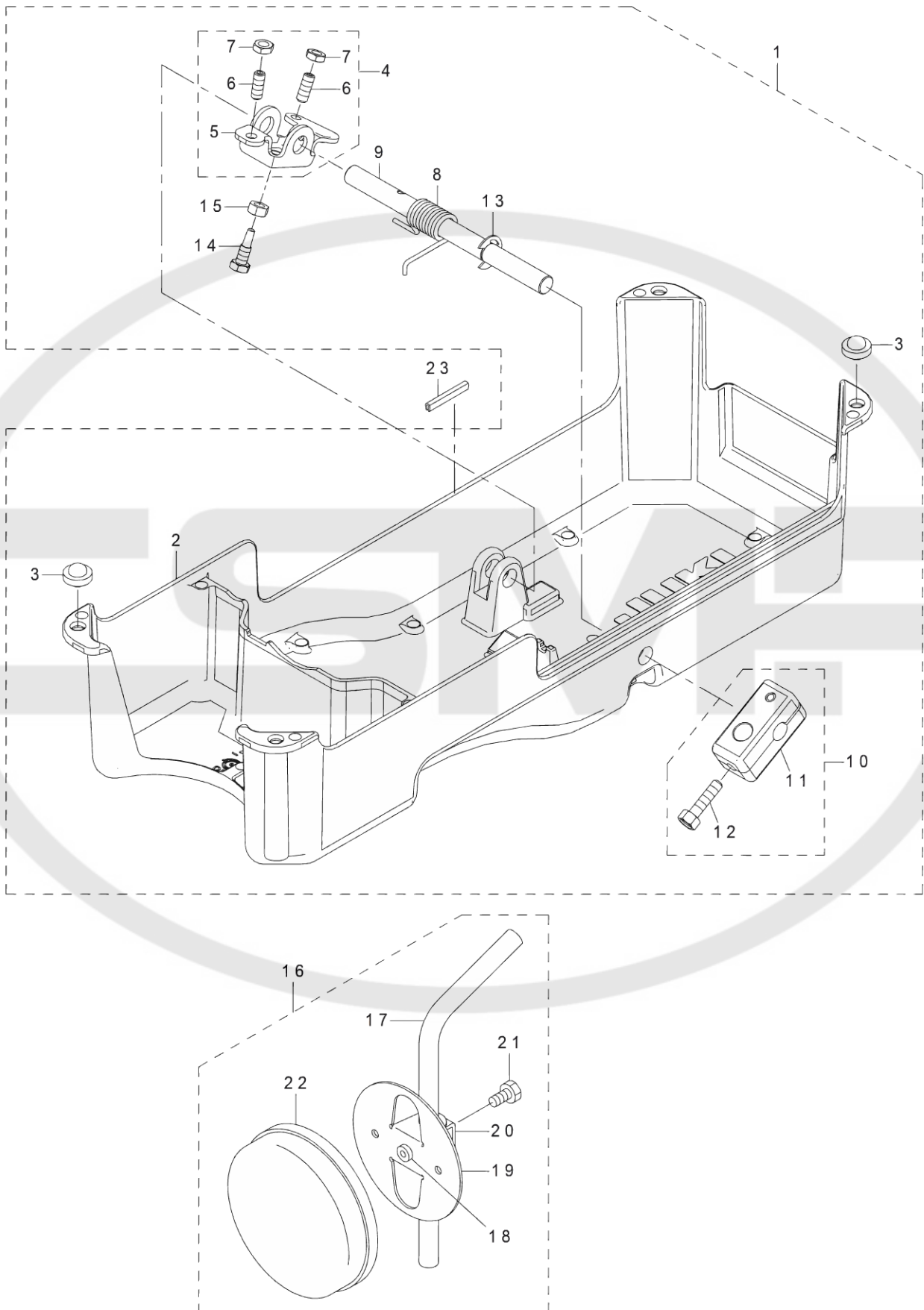
No	note	Parts No.	DESCRIPTION	Qty
1		40140992	WIPER ASSY	1
2		40140994	WIPER BASE ASSY	(1)
3		40110999	WIPER SOLENOID	(1)
4		22955900	WIPER RUBBER A	(1)
5		22956007	WIPER RUBBER B	(1)
6		22956106	WIPER LINK A	(1)
7		22956205	WIPER HINGE SCREW COLLAR	(1)
8		22956304	WIPER SPRING	(1)
9		22956403	WIPER LINK B	(1)
10		40041419	WIPER LINK C ASM.	(1)
11		22956809	WIPER COLLAR	(1)
12		22955504	WIPER COVER	(1)
13		22956908	WIPER LINK B HINGE SCREW	(1)
14		40140991	WIPER	(1)
15		40086678	WIPER SW RUBBER	(1)
16		40077852	WIPER SOLENOID SHAFT	(1)
17		NS6090310SP	NUT 9/64-40	(1)
18		NS6110310SP	NUT 11/64-40	(1)
19		RE0250000K0	E-RING 2.5	(1)
20		RE0500000K0	E-RING	(1)
21		SD0650321TP	HINGE SCREW D=6.5 H=3.2	(1)
22		SL4030641SE	SCREW	(3)
23		SL4030631SC	SCREW M3X6	(1)
24		SS6090540SP	SCREW 9/64-40 L=5.0	(1)
25		22957203	WIPER LINK COLLAR	(1)
26		40077851	WIPER SOLENOID SHAFT GUIDE	(1)
27		SS4110615SP	SCREW 11/64-40 L=6	(2)
28		40086679	WIPER STOPPER RUBBER	(1)
29		40037500	RUBBER HOLDER	(1)
30		SS4120925SP	SCREW 3/16-28 L=9	1
31		WP0482086SD	WASHER 4.8X11.5X2	1

1... /





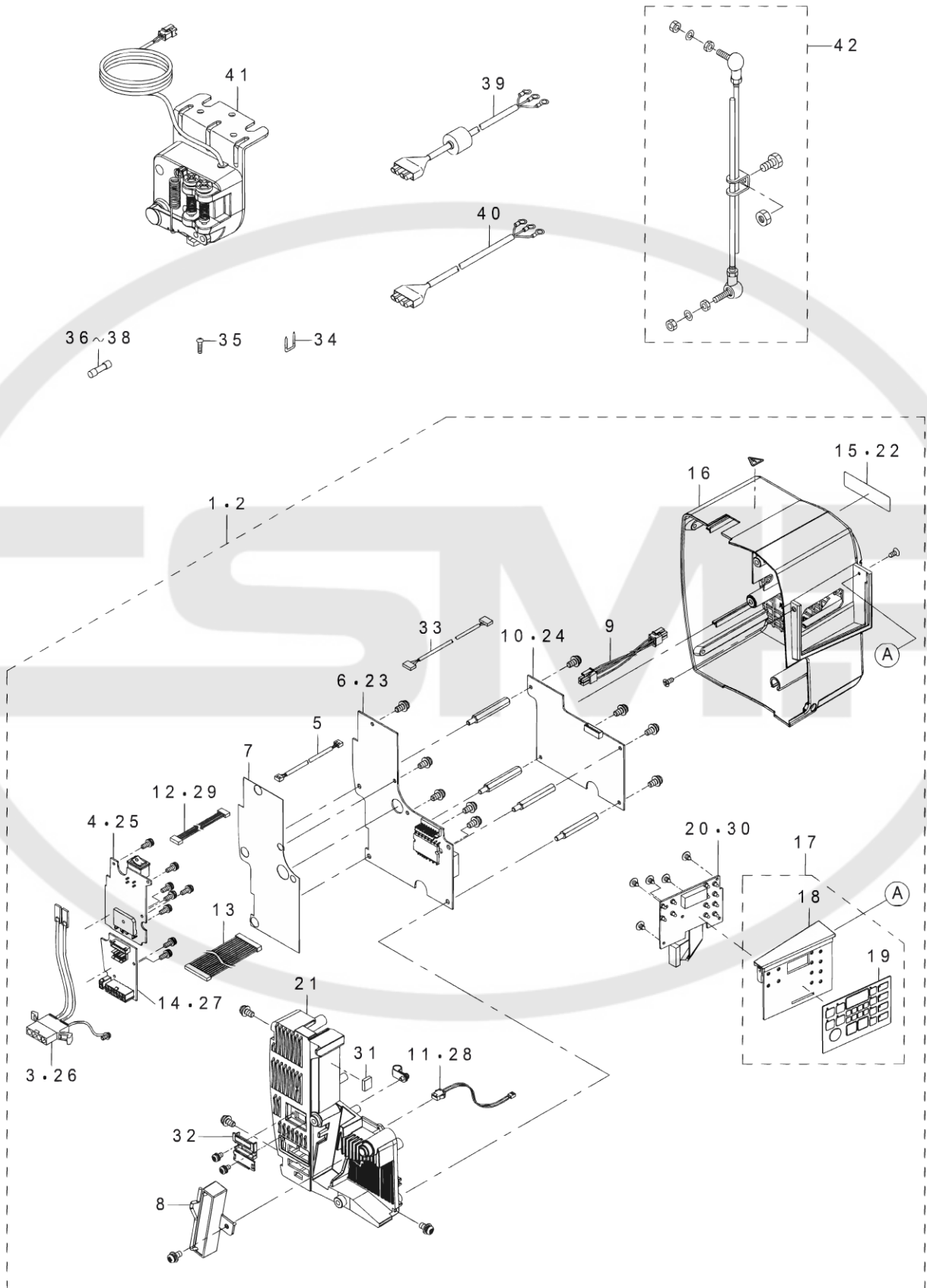
No	note	Parts No.	DESCRIPTION	Qty
1		22924708	OIL SIGHT WINDOW	1
2		RO195240100	RUBBER RING	1
3		22924401	MAIN SHAFT OIL TUBE	1
4		SS4120615SP	SCREW 3/16-28 L=6	1
5		22925101	OIL FELT PRESSER	1
6		22924153	OIL RETURN TUBE ASM.	1
7		22924302	HOLDER	(1)
8		WS0451040KP	SPRING WASHER 4.5X8.5X1	0.3
9		40037502	OIL ADJUSTING SCREW	1
10		RO037180100	RUBBER RING	1
11		40156696	HOOK OIL PIPE	1
12		22923056	LUBRICATING OIL PUMP ASM.	1
13		22923312	OIL PUMP INSTALLING BASE	(1)
14		22923015	OIL PUMP	(1)
15		22923700	OIL PUMP IMPELLER	(1)
16		SE4301041SR	SCREW D=3 L=10	(1)
17		22923205	LUBRICATING OIL PUMP COVER	(1)
18		22923809	OIL PUMP IMPELLER COVER	(1)
19		22923403	PLUNGER	(1)
20		22923601	PLUNGER SPRING	(1)
21		22923502	PLUNGER SCREW	(1)
22		22923908	HOOK DRIVING SHAFT OIL TUBE	(1)
23		SL4030851SF	SCREW M3 L=8	(3)
24		SS4150915SP	SCREW 15/64-28 L=9	1
25		SS6111010TP	SCREW 11/64-40 L=9.5	1
26		22947105	OIL PUMP SUPPORT	1
27		WS0651310KP	SPRING WASHER 6.5X11X1.3	1
28		22924609	RUBBER JOINT	1
29		40156691	OIL SHIELD ASSY	1
30		40156692	OIL SHIELD	(1)
31		SQ2060451MZ	CONNECTING SCREW	(1)
32		13170105	RUBBER RING	(1)
33		13171004	DRAIN SCREW	(1)
34		B8228125000	OIL RESERVOIR MAGNET	(1)
35		40024644	MAGNET WASHER	(1)
36		ST4040821SS	TAPPING SCREW	(1)
37		40156693	DECK PLATE	(4)
38		WP0501016SD	WASHER 5X10.5X1	13
39		SM6051402TP	SCREW M5X0.8 L=14	13
40		SQ2050453MZ	CONNECTING SCREW	1
41		SQ2060451MZ	CONNECTING SCREW	1
42		23630007	TUBE	0.1
43		23630007	TUBE	0.1
44		40156694	KNEE LIFTER PUSH ROD	1
45		40156695	OIL SHIELD PACKING	1
46		11039203	FELT	1
47		40136258	CORD HOLDER	1
48		40156690	OIL SIGHT GAUGE	1
49		22944508	WIRE PRESSER A	2
50		SM4040655SP	SCREW M4 L=6	2
51		13101407	LOOPER COVER PRESSER PLATE	1
52		SM4040655SP	SCREW M4 L=6	1
53		40028281	FEED ADJUSTING STOPPER	1
54		WP0501016SD	WASHER 5X10.5X1	1
55		SS4110615SP	SCREW 11/64-40 L=6	1
56		23629306	PIPE STOPPER A	2
57		40162044	PIPE STOPPER	2



No	note	Parts No.	DESCRIPTION	Qty
1		40156724	UNDER COVER ASSY	1
2		40156727	UNDER COVER	(1)
3		B1116210D00	FRAME SUPPORT RUBBER	(4)
4		40156725	KNEE LIFTER ROTATION ARM ASM.	(1)
5		22932107	KNEE LIFTER ROTATING ARM	(1)
6		SM8061612TP	SCREW M6X16	(2)
7		NM6060003SC	NUT M6	(2)
8		40156726	KNEE LIFTER SPRING	(1)
9		40101541	KNEE PRESS CROSS SHAFT	(1)
10		22932453	BRACKET ASM.	(1)
11		22932404	BRACKET	(1)
12		22934707	SCREW	(2)
13		RE1000000K0	E-RING 10	(1)
14		SM9062563TR	SCREW M6 L=25	(1)
15		NM6060001SE	NUT M6	(1)
16		22934251	KNEE PAD PLATE ASM.	1
17		22934608	KNEE PAD UPRIGHT SHAFT	(1)
18		22934400	KNEE PAD PLATE RUBBER	(1)
19		22934202	KNEE PAD PLATE	(1)
20		22934301	KNEE PAD PLATE SUPPORT	(1)
21		SM9061203SE	SCREW M6 L=12	(1)
22		22934509	KNEE PAD PLATE COVER	(1)
23		HX006690000	GROMMET	0.03

1... /

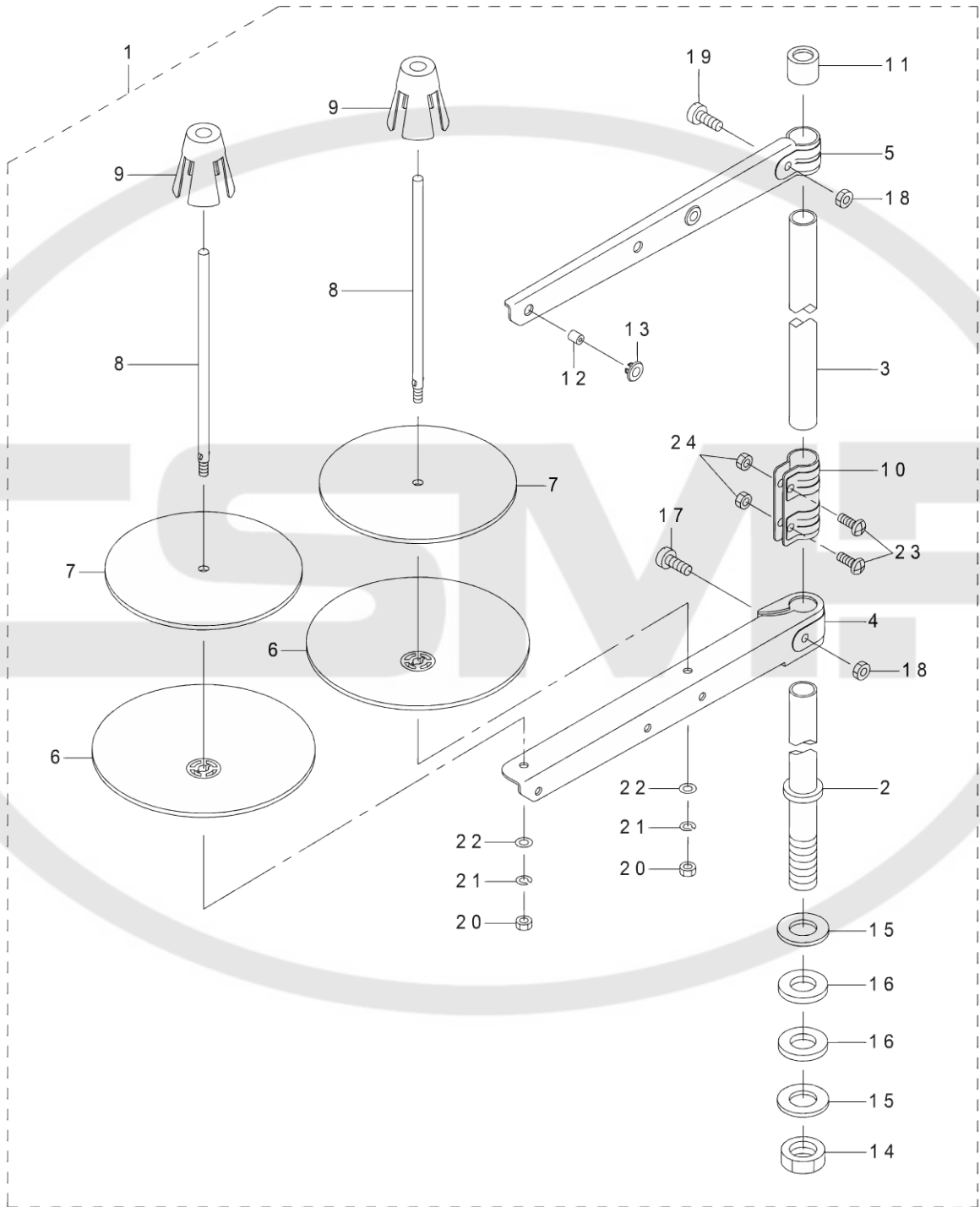




No	note	Parts No.	DESCRIPTION	Qty
1	#01	40156704	CONTROL BOX	1
2	#02	40156705	CONTROL BOX CE	1
3	#01	40141200	AC INPUT CORD ASSY	(1)
4	#01	40141201	FLT PCB ASSY	(1)
5		40141203	INPUT CHECK CORD ASSY	(1)
6	#01	40141204	PWR PCB ASSY	(1)
7		40141205	PWR PCB FILM SHEET	(1)
8		40141206	RESISTANCE A ASSY	(1)
9		40141207	DC POWER SUPPLY CORD ASSY	(1)
10	#01	40141208	CTL PCB ASSY	(1)
11	#01	40141209	PEDAL CORD ASSY	(1)
12	#01	40141210	SOL POWER CORD ASSY	(1)
13		40141211	SOL SIGNAL CORD ASSY	(1)
14	#01	40141212	SOL PCB ASSY	(1)
15	#01	40156706	RATING LABEL A DRAWING	(1)
16		40141217	PSC COVER	(1)
17		40141214	PANEL COVER ASSY	(1)
18		40141215	PANEL COVER	(1)
19		40141216	MEMBRANE SWITCH	(1)
20	#01	40141213	PNL PCB ASSY	(1)
21		40141199	FRAME	(1)
22	#02	40156707	RATING LABEL C DRAWING	(1)
23	#02	40145554	PWR-CE PCB ASSY	(1)
24	#02	40145555	CTL-CE PCB ASSY	(1)
25	#02	40145553	FLT-CE PCB ASSY	(1)
26	#02	40149316	AC INPUT CORD ASSY	(1)
27	#02	40145556	SOL-CE PCB ASSY	(1)
28	#02	40145557	PEDAL CORD CE ASSY	(1)
29	#02	40145558	SOL POWER CORD CE ASSY	(1)
30	#02	40145921	PNL-CE PCB ASSY	(1)
31	#02	40145944	EMI GASKET	(1)
32		401557011	CONNECTOR COVER	(1)
33		40145540	PRT CORD ASSY	(1)
34	#01	40141223	CORD STAPLE	3
35		40141224	SCREW	3
36	#01	40141225	SLO-BLO FUSE	1
37	#01	40141226	SLO-BLO FUSE	1
38	#01	40141227	SLO-BLO FUSE	1
39	#02	40145128	AC POWER CORD ASSY CE	1
40	#02	40141220	AC POWER CORD ASSY	1
41		40141219	PEDAL SENSOR A ASSY	1
42		40042134	CONNECTING ROD ASSY	1

1...#01VARIOUS NOS. FOR DESTINATIONS / 2...#02FOR CE / 3... /

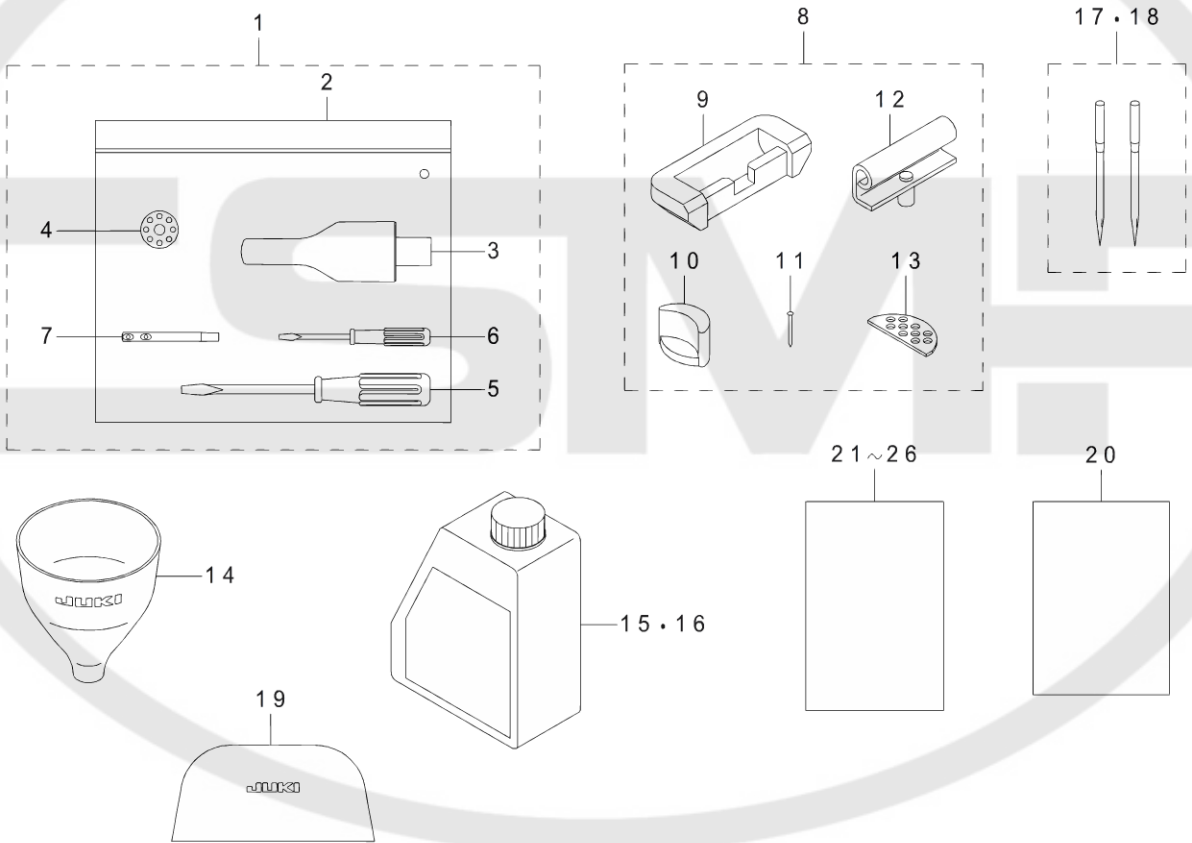




No	note	Parts No.	DESCRIPTION	Qty
1		40096354	THREAD STAND ASM.	1
2		40085784	SPOOL REST ROD LOWER	(1)
3		40085785	SPOOL REST ROD UPPER	(1)
4		40085786	SPOOL REST ARM LOWER	(1)
5		40085787	SPOOL REST ARM UPPER	(1)
6		40085788	SPOOL REST	(2)
7		40085789	SPOOL REST CUSHION	(2)
8		40085790	SPOOL PIN	(2)
9		40085791	SPOOL RETAINER	(2)
10		40085792	SPOOL REST ROD JOINT	(1)
11		40085793	SPOOL REST ROD RUBBER CAP	(1)
12		40085794	THREAD GUIDE	(2)
13		40085795	THREAD GUIDE BUSHING	(2)
14		40096325	SPOOL REST ROD NUT	(1)
15		WP1612616SE	WASHER 16X30X2.6	(2)
16		40085796	SPOOL REST ROD RUBBER CUSHION	(2)
17		40096326	SPOOL REST ARM LOWER SCREW	(1)
18		NM6050001SE	NUT M5	(2)
19		40096327	SPOOL REST ARM UPPER SCREW	(1)
20		NM6050001SE	NUT M5	(2)
21		WS0510002KN	SPRING WASHER M5	(2)
22		WP0531001SC	WASHER M5	(2)
23		SM4051405SE	SCREW M5 L=14	(2)
24		NM6050001SE	NUT M5	(2)

1... /





No	note	Parts No.	DESCRIPTION	Qty
1		40156730	ACCESSORY BAG ASSY	1
2		22932800	ACCESSORIE BAG	(1)
3		14101208	HEAD SUPPORT BAR	(1)
4		22932909	BOBBIN	(1)
5		22933105	SCREW DRIVER MIDDLE	(1)
6		22933204	SCREW DRIVER SMALL	(1)
7		22958300	NEEDLE THREAD GUIDE PIN	(1)
8		22958052	RUBBER HINGE ASM.	1
9		22926000	RUBBER CUSHION	(2)
10		22958003	FRAME BUBBER CUSHION	(2)
11		22926208	NAIL	(8)
12		22926356	HINGE COMPL.	(2)
13		22926505	WASHER	(2)
14		13160601	FUNNEL	1
15	#01	40157520	NEW DEFRIX OIL NO.1 450ML	1
16	#01	40102087	JUKI CORPORATION GENUINE OIL 7	1
17	#01	MDB100B1402	NEEDLE DBX1#14-2	1
18	#01	MC200500902	NEEDLE 134 #90-2	1
19		40135803	HEAD COVER	1
20	#01	CM600100201	WEEE INFORMATION SHEET	1
21	#01	40157451	SAFETY INSTRUCTION MANUAL C JPN	1
22	#01	40157452	SAFETY INSTRUCTION MANUAL 5 JPN	1
23	#01	40157453	SAFETY INSTRUCTION MANUAL 7 JPN	1
24	#01	40156811	SAFETY INSTRUCTION MANUAL	1
25	#01	40156812	SAFETY INSTRUCTION MANUAL	1
26	#01	40156813	SAFETY INSTRUCTION MANUAL	1

1...#01ACCORDING TO MANUFACTURING BASE / 2... / 3...undefined / 4...undefined / 5...undefined / 6...undefined / 7...undefined / 8...undefined / 9...undefined / 10...undefined / 11...undefined / 12...undefined / 13...undefined / 14...undefined / 15...undefined / 16...undefined / 17...undefined / 18...undefined / 19...undefined / 20...undefined / 21...undefined / 22...undefined / 23...undefined / 24...undefined / 25...undefined / 26...undefined / 27...undefined / 28...undefined / 29...undefined / 30...undefined / 31...undefined / 32...undefined / 33...undefined / 34...undefined / 35...undefined / 36...undefined / 37...undefined / 38...undefined / 39...undefined / 40...undefined / 41...undefined / 42...undefined / 43...undefined / 44...undefined / 45...undefined / 46...undefined / 47...undefined / 48...undefined / 49...undefined / 50...undefined / 51...undefined / 52...undefined / 53...undefined / 54...undefined / 55...undefined / 56...undefined / 57...undefined / 58...undefined / 59...undefined /



